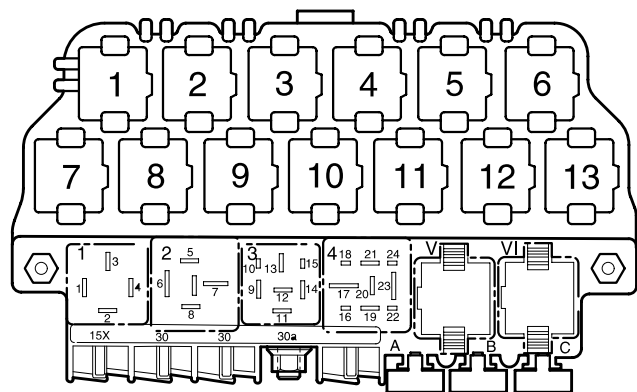


Gas discharge headlights with automatic headlight range control

from May 2000

For alternatives to relay and fuse positions as well as multi-pin connector wiring - see "Fitting locations" section.



97-14163

Relay locations on the 13 position additional relay carrier above the relay plate:

Relay locations on relay plate:

2 X contact relief relay (100)

Note:

The number in brackets behind the part designation denotes the control number on the housing.

Fuse colours

30 A – green

25 A – white

20 A – yellow

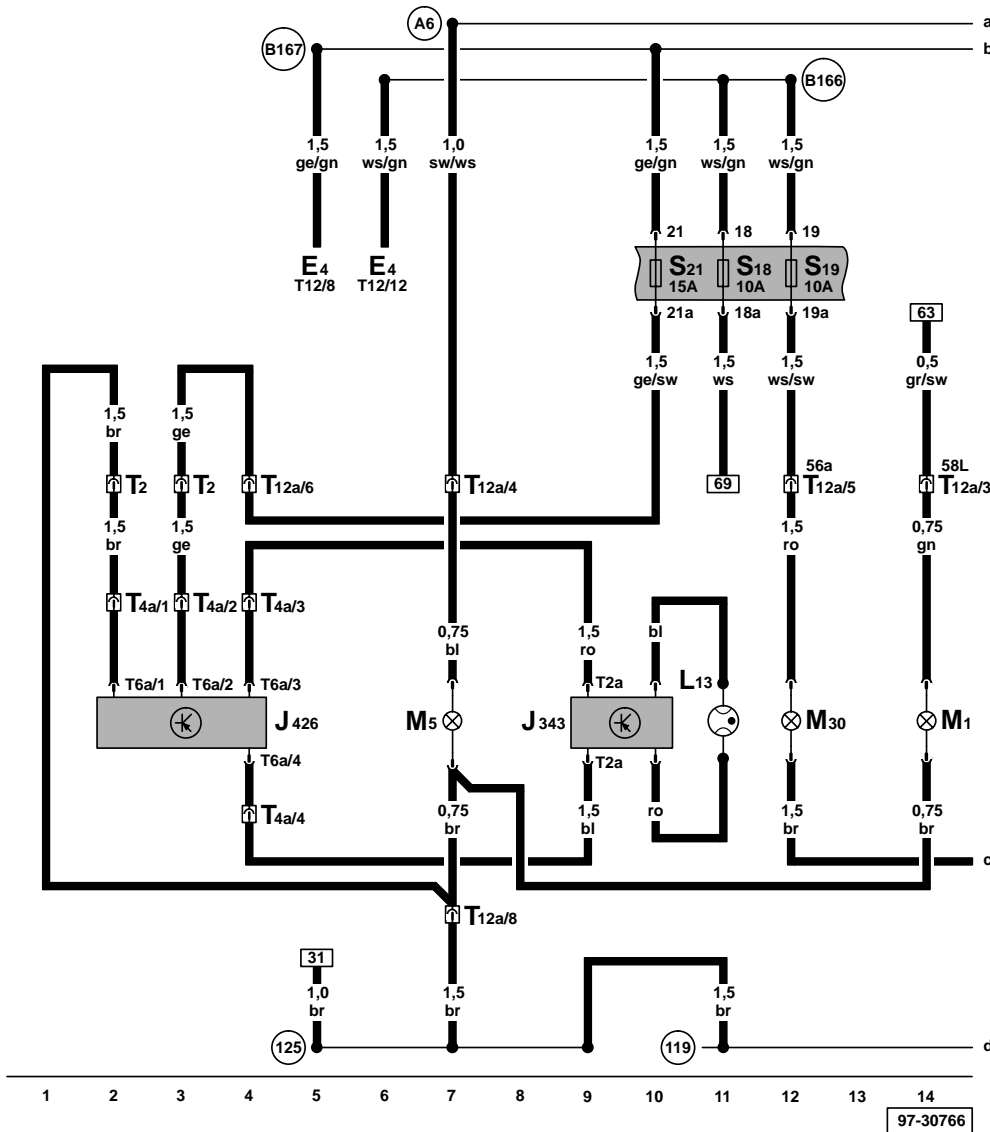
15 A – blue

10 A – red

7.5 A – brown

5 A – beige

3 A – purple



Left gas discharge lamp control unit, left gas discharge lamp, main beam bulb left, side light bulb left, turn signal bulb, front left

- E4 - Headlight dipper/flasher switch
- J343 - Left gas discharge lamp control unit, in left headlight
- J426 - Left headlight starter (gaseous discharge lamp), behind front left wheel housing
- L13 - Left gas discharge lamp
- M1 - Side light bulb, left
- M5 - Turn signal bulb, front left
- M30 - Main beam bulb, left
- S18 - Fuse in fuse box
- S19 - Fuse in fuse box
- S21 - Fuse in fuse box
- T2 - 2-pin connector, in headlight, left
- T2a - 2-pin connector
- T4a - 4-pin connector, headlight, left
- T6a - 6-pin connector
- T12 - 12-pin connector
- T12a - 12-pin connector, on headlight, left

- (119) - Earth connection -1-, in headlight wiring harness
- (125) - Earth connection -3-, in headlight wiring harness
- A6 - Positive (+) connection (left turn signal), in dash panel wiring harness
- B166 - Connection (56a), in interior wiring harness
- B167 - Connection (56b), in interior wiring harness

ws = white
 sw = black
 ro = red
 br = brown
 gn = green
 bl = blue
 gr = grey
 li = purple
 ge = yellow
 or = orange

97-30766

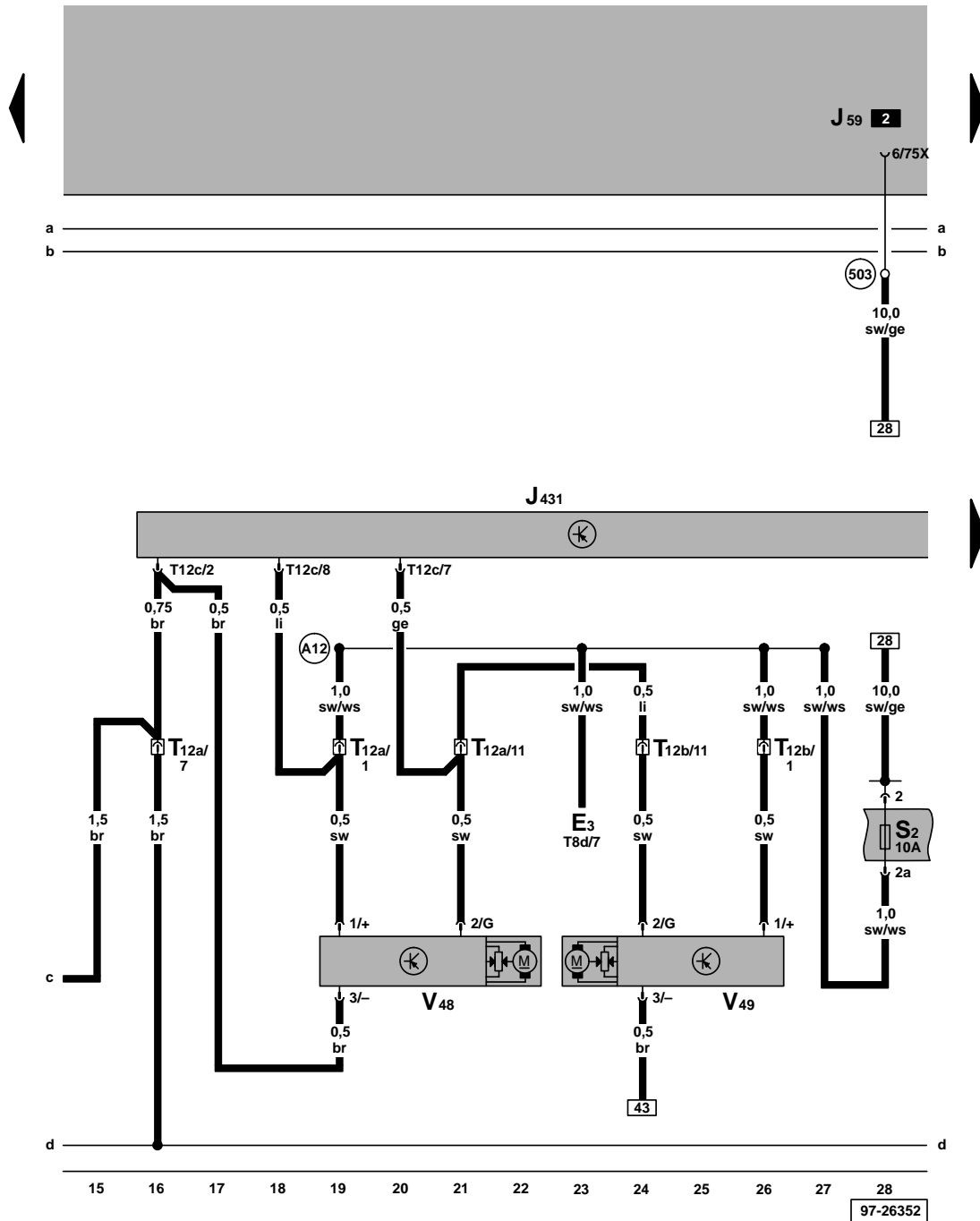
Headlight range control control unit, headlight range control motor

- E3 - Hazard warning light switch
- J59 - X contact relief relay
- J431 - Headlight range control control unit, in headlight, left
- S2 - Fuse in fuse box
- T8d - 8-pin connector**
- T12a - 12-pin connector, on headlight, left
- T12c - 12-pin connector
- T12b - 12-pin connector, on headlight, right
- V48 - Headlight range control motor, left
- V49 - Headlight range control motor, right

(503) - Screw connection (75x), on relay plate

(A12) - Positive (+) connection (75a), in dash panel wiring harness

** - Connection numbering of turn signal relay can vary, see fault finding programme!



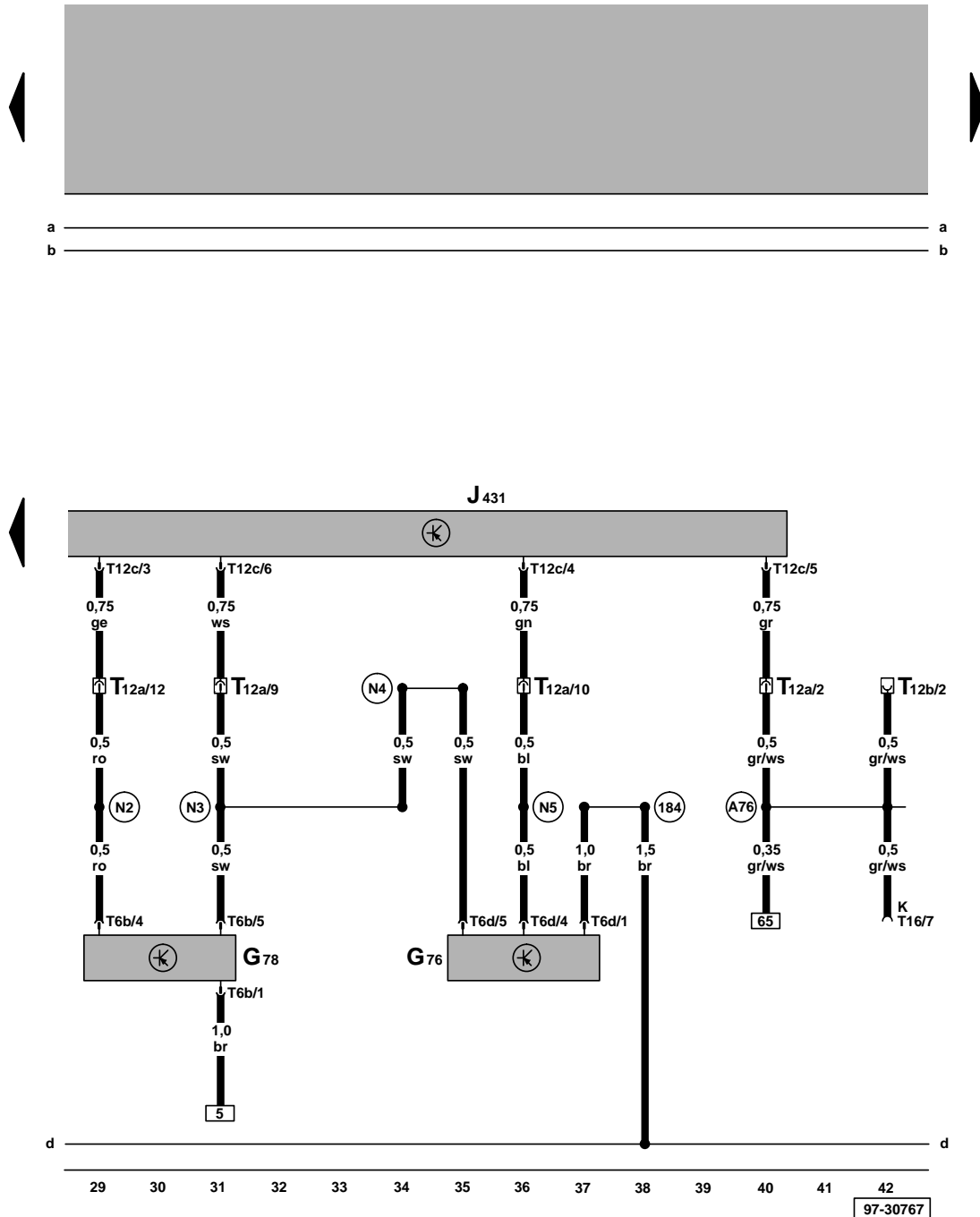
- ws = white
- sw = black
- ro = red
- br = brown
- gn = green
- bl = blue
- gr = grey
- li = purple
- ge = yellow
- or = orange

Control unit for headlight range control, vehicle level senders

- G76 - Vehicle level sender, rear left
- G78 - Vehicle level sender, front left
- J431 - Headlight range control, control unit, in headlight, left
- T6b - 6-pin connector
- T6d - 6-pin connector
- T12a - 12-pin connector, on headlight, left
- T12b - 12-pin connector, on headlight, right
- T12c - 12-pin connector
- T16 - 16-pin connector, in dash panel centre, self-diagnosis connection

- (184) - Earth connection (headlight range control), in engine compartment wiring harness
- (A76) - Connection (diagnosis wire K), in dash panel wiring harness
- (N2) - Connection -1-, in headlight range adjustment wiring harness
- (N3) - Connection -2-, in headlight range adjustment wiring harness
- (N4) - Connection -3-, in headlight range adjustment wiring harness
- (N5) - Connection -4-, in headlight range adjustment wiring harness

ws = white
 sw = black
 ro = red
 br = brown
 gn = green
 bl = blue
 gr = grey
 li = purple
 ge = yellow
 or = orange

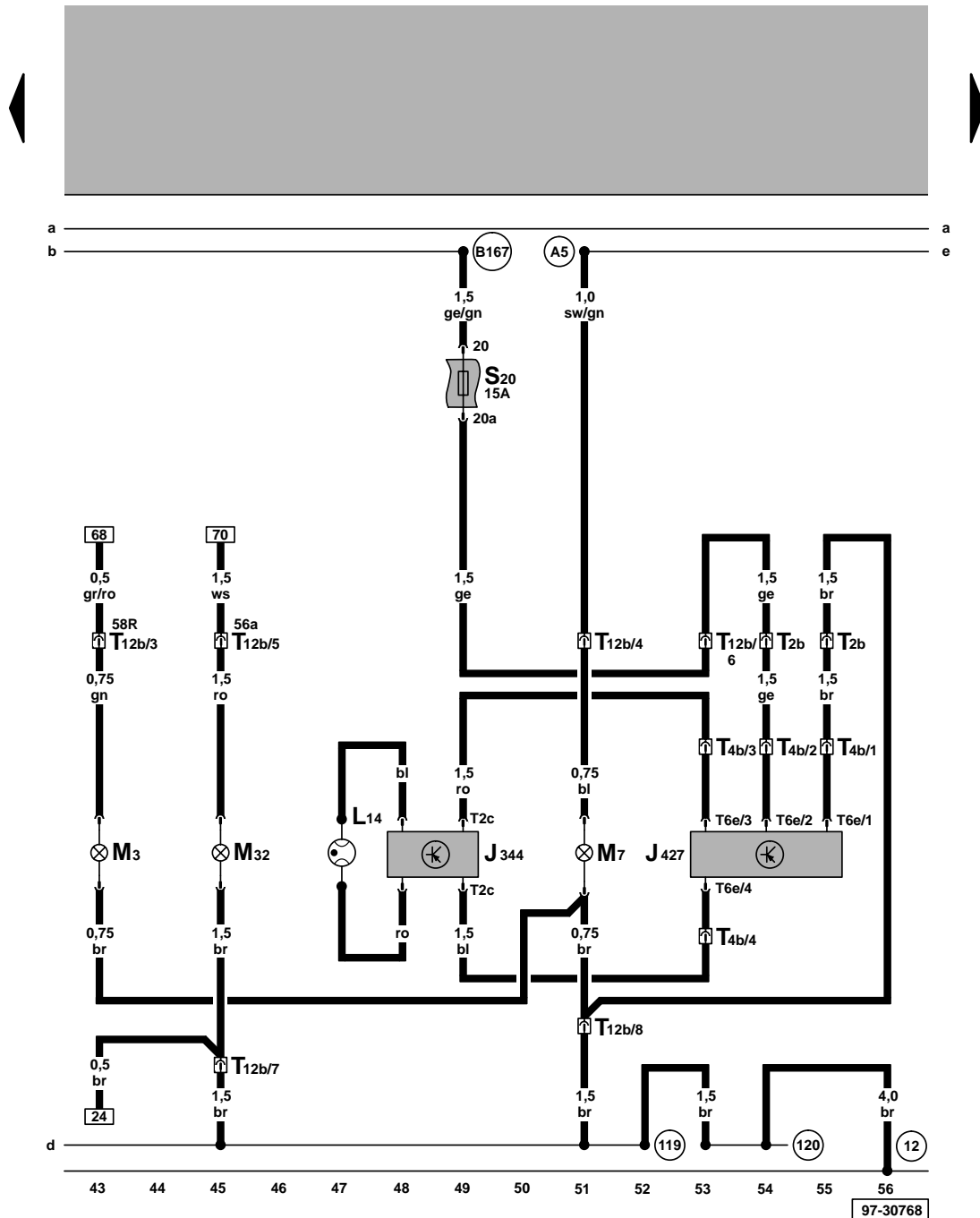


Right gas discharge lamp control unit, right gas discharge lamp, main beam bulb right, side light bulb right, turn signal bulb, front right

- J344 – Right gas discharge lamp control unit, in headlight, right
- J427 – Right headlight starter (gaseous discharge lamp), behind front right wheel housing
- L14 – Right gas discharge lamp
- M3 – Side light bulb, right
- M7 – Turn signal bulb, front right
- M32 – Main beam bulb, right
- S20 – Fuse in fuse box
- T2b – 2-pin connector, in headlight, right
- T2c – 2-pin connector
- T4b – 4-pin connector, on headlight, right
- T6e – 6-pin connector
- T12b – 12-pin connector, on headlight, right

- (12) – Earth point, in engine compartment, left
- (119) – Earth connection -1-, in headlight wiring harness
- (120) – Earth connection -2-, in headlight wiring harness
- A5 – Positive (+) connection (right turn signal), in dash panel wiring harness
- B167 – Connection (56b), in interior wiring harness

ws = white
 sw = black
 ro = red
 br = brown
 gn = green
 bl = blue
 gr = grey
 li = purple
 ge = yellow
 or = orange



97-30768

Dash panel insert, turn signal warning lamps, main beam warning lamp

- E1 - Lighting switch
- J285 - Control unit with display in dash panel insert
- K1 - Main beam warning lamp
- K65 - Left turn signal warning lamp
- K94 - Right turn signal warning lamp
- S22 - Fuse in fuse box
- S223 - Fuse in fuse box
- T17 - 17-pin connector
- T32 - 32-pin connector, blue

- (A5) - Positive (+) connection (right turn signal), in dash panel wiring harness
- (A6) - Positive (+) connection (left turn signal), in dash panel wiring harness
- (A43) - Connection (57L), in dash panel wiring harness
- (A44) - Connection (57R), in dash panel wiring harness
- (A51) - Connection (56), in dash panel wiring harness
- (A84) - Connection (58L), in dash panel wiring harness
- (A85) - Connection (58R), in dash panel wiring harness

ws = white
 sw = black
 ro = red
 br = brown
 gn = green
 bl = blue
 gr = grey
 li = purple
 ge = yellow
 or = orange

