

Technical Bulletin



Condition

Customer May Report "Moisture Inside HID Headlamp Housing"

The moisture will not compromise the long term performance of HID headlamp.

94 06 09 Sep. 12, 2006, 2011763, Supersedes Technical Bulletin Group 94 number 06-06, dated May 4, 2006 due to updated parts information.

Model(s)	Year	Eng. Code	Trans. Code	VIN Range From	VIN Range To
Passat	2006	All	All	3C_6E000001	3C_6E181878
Passat	2006	All	All	3C_6P000001	3C_6P169043

Technical Background

The HID headlamp housing cap may be cracked, which allows moisture to accumulate within the housing. These cracks are caused by excessive torque on the 4 screws that secure the Headlamp Power Output Stages -J667- and/or -J668- to the cap.

Production Solution

New parts installed in vehicles after VIN: 3C_6E181878 or 3C_6P169043.

Service

 **Note:**

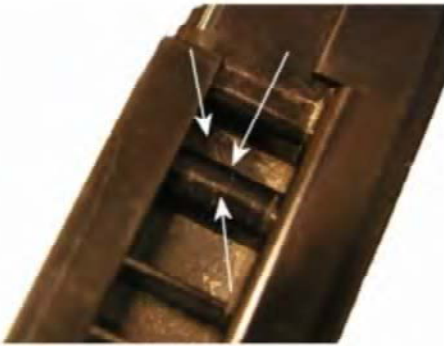
Switch ignition OFF and remove ignition key before proceeding.

- Access cap for inspection. See Repair Manual Group 94 for procedures.

Technical Bulletin

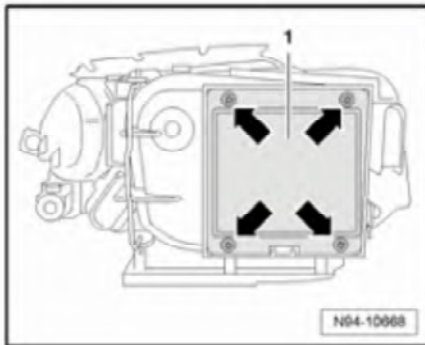


Inspect 4 screw housing for cracks in cap -arrows-, as shown.



The -arrows- pointing to a crack in the screw housing, as shown.

- If NO cracks are present, DO NOT replace HID headlamp cap.
- If cracks are present, replace HID headlamp cap. See [Required Parts and Tools](#). See Repair Manual Group 94 for procedures.



! Note:

When installing Headlamp Power Output Stages -J667- and/or -J668-, ensure proper seating to cap.
DO NOT over-torque the screws, as this will cause damage to cap.

- Tighten the Headlamp Power Output Stages -J667- and/or -J668- screws to 2.4 Nm (21 lbin), as shown.

Technical Bulletin



Warranty

When procedure applies to vehicles within the New Vehicle Limited Warranty, use the following:	
Claim Type:	W2
Part Identifier:	9415
Damage Code:	9415 10 ___* 2
Labor Operation:	94150200 = 140 TU
Diagnostic Time:	No Additional Diagnostic Time Allowed
Claim Comment: Input "As per Technical Bulletin 2011763" in comment section of Warranty Claim.	

* Code per warranty vendor code policy.

Required Parts and Tools

Description	Part No:	Quantity
Left Cap	3C0941607H	1
Right Cap	3C0941608C	1



Tip:

Part number(s) are for reference only. Always check with your Parts Dept. for the latest part(s) information.