

# Technical Bulletin



## Condition

PDI - Front License Plate Holder, Installation Instructions

66 06 05 Nov. 10, 2006, 2010429, Supersedes Technical Bulletin Group 66 number 05-02 dated August 4, 2005 due to inclusion into ElsaWeb.

Model(s)	Year	Eng. Code	Trans. Code	VIN Range From	VIN Range To
Passat	2006	All	All	All	All

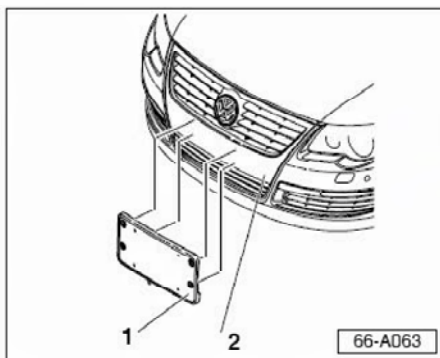
## Technical Background

Vehicles are not produced with front license plate holder.

## Production Solution

No production change required.

## Service



When installing a front license plate holder -1-:

DO NOT drill holes for fasteners without first removing the radiator grille -2-.

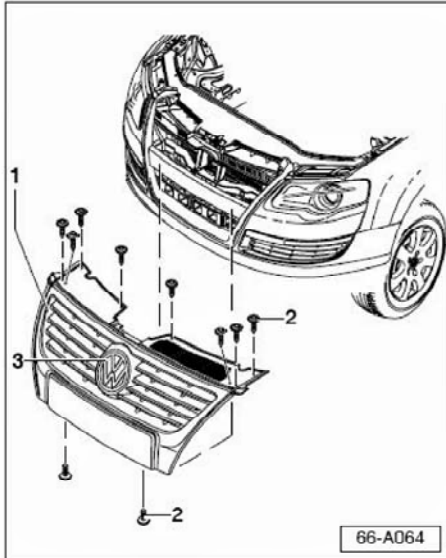
**Note:**

Removal of the radiator grille will prevent the possibility of drilling into the turn indicator wiring harness, which is routed behind the grille assembly.

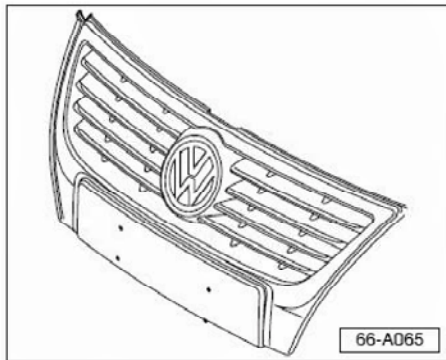
Front license plate holder, installing

- Locate holder -1- by placing against radiator grille -2- (with slotted tab on bottom of holder aligned with center vertical rib of lower grille).
- Mark the centers of the 4 mounting holes on the grille.

# Technical Bulletin

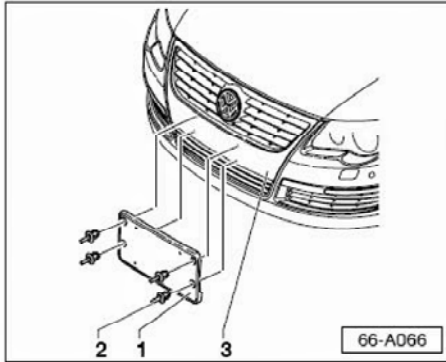


- Remove (10) screws -2- for front Radiator grille.
- Lift grille away from vehicle.



- Using an 8mm drill bit, drill 4 holes at locations marked.
- Reinstall radiator grille to vehicle.

# Technical Bulletin



With slotted tab on bottom of holder -1- aligned with center vertical rib of lower grille:

- Align holes of holder with drilled holes on grille.
- Fasten holder with 4 (push pin style) clips -2- (included with holder).

## Warranty

Information only.

Installation of the license plate holder is included in the PDI.

DO NOT claim additional labor for this operation.

## Required Parts and Tools

No Special Tools required.

No Special Parts required. Always see ETKA for the latest part(s) information.