

Technical Bulletin



Model(s)	Year	Eng. Code	Trans. Code	VIN Range From	VIN Range To
GTI, Rabbit	2006, 2007	N/A	N/A	N/A	N/A
New Jetta	2006, 2007	N/A	N/A	N/A	N/A
Passat	2005>2007	N/A	N/A	N/A	N/A

Headliner, Grab Handle & Sun Visor, Installation Tips

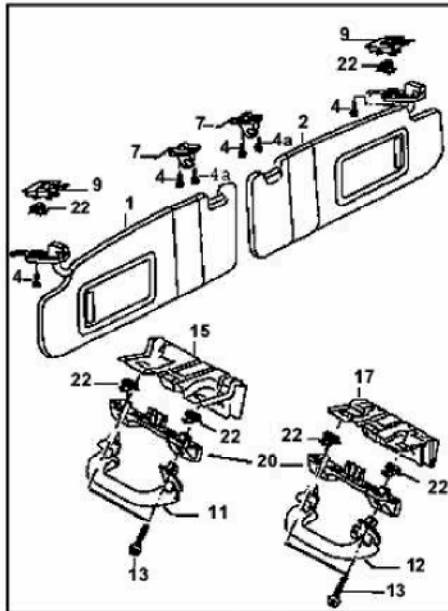
Condition

68 07 04 Feb. 14, 2007 2013840

Once removed, the grab handle and sun visor screws may be difficult to reinstall.

Review the following for tips regarding removal and installation.

Technical Background



To facilitate installation during production, headliners are pre-assembled with grab handles -11-, -12- (on both sides) and sun visors -1- and -2- and center headliner console (not shown).

This makes installation easier by allowing for headliner clamps to snap into the slots in the roof brackets.



Technical Bulletin



With headliner positioned and snapped into place, when tightening the screws to the correct torque the clamps (shown) deform and spread into the brackets.

If screws are then removed from the sun visors or grab handles, screws may be difficult to reinstall.

Clamps may fall out of brackets into headliner or roof cavities causing rattles.

Therefore, whenever the headliner is removed it will be necessary to install new clamps -22- Part No: 1K0867633 wherever they are used in assembly.

When removing sun visors or front and rear grab handles on either side, if fastening screws are too difficult to align and cannot be reinstalled, it may also be necessary to remove the headliner and install new clamps in all locations.

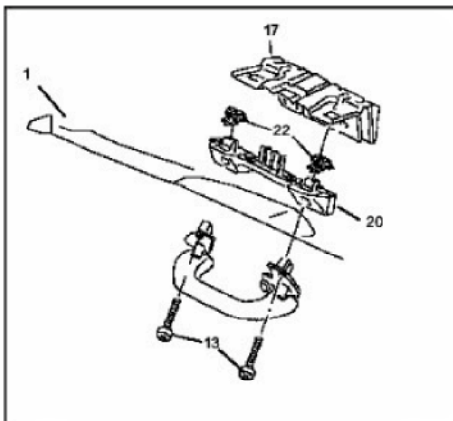
It will also be necessary to pre-assemble the headliner with both sun visors, all grab handles and center console prior to installation.

Production Solution

No production change required.

Service

When installing the headliner:



Pre-assemble front/rear grab handles on both sides to headliner -1-, brackets -20- and clamps -22- using screws -13-.

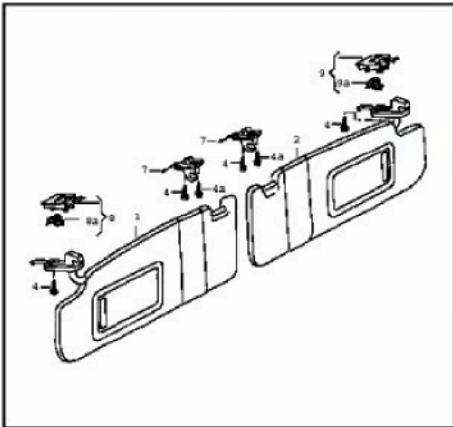
Technical Bulletin



Tip:

Tighten screws so that assembly stays together (do not tighten to the point where clamps deform).

Left front grab handle shown pre-assembled to headliner.



- Pre-assemble sun visors to clamp and brackets -8- and -9- using screws -4-



Tip:

Tighten screws so that assembly stays together (do not tighten to the point where clamps deform).



- Pre-assemble headliner center console with clamps and brackets as shown.



Tip:

Tighten screws so that assembly stays together (do not tighten to the point where clamps deform).



Technical Bulletin



Using a second technician:



- Carefully position headliner in vehicle and snap clamps into appropriate body brackets (grab handle bracket shown).
- Tighten screws to 2 Nm.
- Continue with headliner installation in reverse order of removal.

Warranty

Information only

Required Parts and Tools

Description	Part No:	Quantity
Clamps	1K0 867 633	As necessary



Tip:

Part number(s) are for reference only. Always see ETKA for the latest part(s) information.

Description	Tool No:	Quantity
Release Lever	*T10039	1
Wedge tool	*T10039/1	1

* Call Volkswagen Tools and Equipment Program (EQS), which is Equipment Solutions, at 1-800-892-9650 for product.