

Technical Bulletin



Model(s)	Year	Eng. Code	Trans. Code	VIN Range From	VIN Range To
All	1999 – 2008	All	All	All	All

Condition

17 07 05 Mar. 2, 2007 2010621 supersedes Technical Bulletin Group 17, number 04-04 dated Dec. 3, 2004 due to additional models and inclusion in ElsaWeb.

Oil Pan Drain Plug, Cleaning Threads on Plug and Oil Pan When Changing Oil

Technical Background

Engine oil leaks are found after engine oil is changed.

This condition may be caused by contaminants on the threads of the oil drain plug or the oil pan (if both are not cleaned before installing and tightening the oil drain plug to the proper torque).

Production Solution

N / A

Service

After draining engine oil:

- Clean any contaminants from both oil drain plug and oil pan drain hole threads.
- Carefully inspect drain plug and oil pan threads for damage.
- If drain plug is damaged, replace it along with drain plug seal.
- Replace either drain plug with seal, or drain plug seal only (if available separately), as necessary.



Tip:

[Always see ETKA for the latest part\(s\) information.](#)

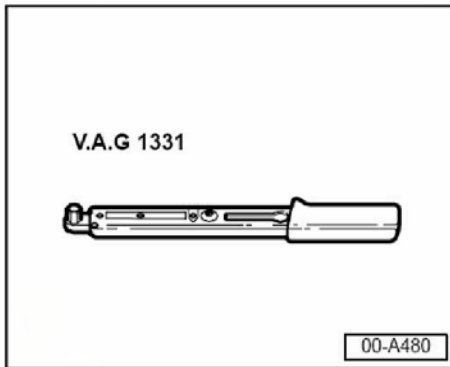
Technical Bulletin



Note:

In some cases the drain plug comes with an integral (permanent) seal and must be replaced as a unit.

Never install a drain plug sealing ring from another application (always consult ETKA for the appropriate drain plug / sealing washer combination).



- Install oil drain plug and hand-tighten first. Then, using a torque wrench, tighten to the proper specification as listed in the table below. See [Required Parts and Tools](#) .

Note:

Always clean contaminants from both oil drain plug and oil pan drain hole threads.

Never use air tools to install the oil drain plug, as damage to the oil pan can occur.

Do not exceed the specified torque. Exceeding the specified torque may damage the oil pan or bend the sealing washer, which can lead to leaks at the drain plug.

Oil pans with damaged threads will not be covered under Warranty.

Model	Engine code	Drain plug torque
All except as listed below	All except as listed below	30 Nm (22 ft. lb.)
Touareg	4.2L (AXQ, BHX)	50 Nm (37 ft. lb.)
Phaeton	4.2L (BGH, BGJ)	

Engine oil, filling

To prevent overfilling, for all engines:

- Add approximately 1/2 quart(or liter) less than capacity.
- Start engine and let run until engine operating temperature is approximately 60 °C (140 °F), switch ignition off.
- Wait about three minutes.

Technical Bulletin



- Check level on oil dipstick and fill to dipstick full mark. This may be even more or less than ½ quart (or liter), depending on engine.

Warranty

Information only

Required Parts and Tools

No special parts required. Always see ETKA for the latest part(s) information.

Description	Tool No:	Quantity
Torque wrench	VAG 1331 (or equivalent)*	1

* Contact the Volkswagen Special Tools and Equipment Program at 1-800-892-9650 or visit the Web Site at: www.tools.vw.com, administered by Equipment Solutions.