

Technical Bulletin



Model(s)	Year	Eng. Code	Trans. Code	VIN Range From	VIN Range To
Passat, Passat Wagon	2006 - 2007	2.0L, 3.6L (BPY, BLV)	6 Speed Automatic	All	All

Condition

37 07 12 July 26, 2007 2015781

Transmission, Will Not Shift Out of Park

Customer may state that the transmission will not shift out of Park.

Symptom may be accompanied by No Communication from Transmission Control Module (TCM) DTCs from table below.

Module	DTC	Description
ECM	U0101, 28773	Transmission ECU No Communication
ABS Module	01315	Gearbox Control Unit, No Communication
Data Bus On Board Diagnostic	01315	Gearbox Control Unit, No Communication
Steering Colum Electronics	01315	Gearbox Control Unit, No Communication

Technical Background

Fuse SC24, SB1 and/or SB6 may be open, missing or not properly seated.

Poor or corroded power and/ or ground connections.

Production Solution

No production change required.

Service

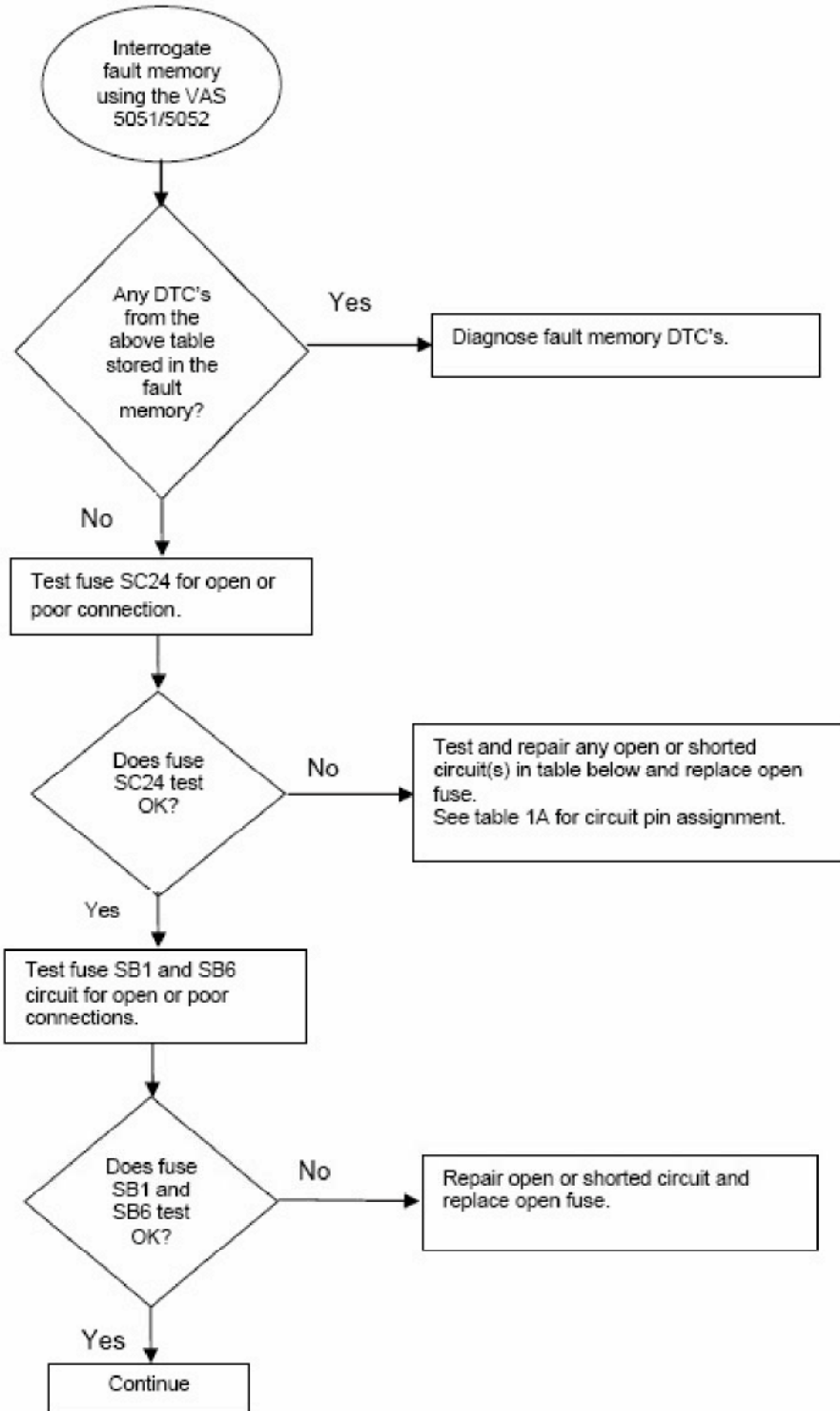
Testing Power Supply and Grounds



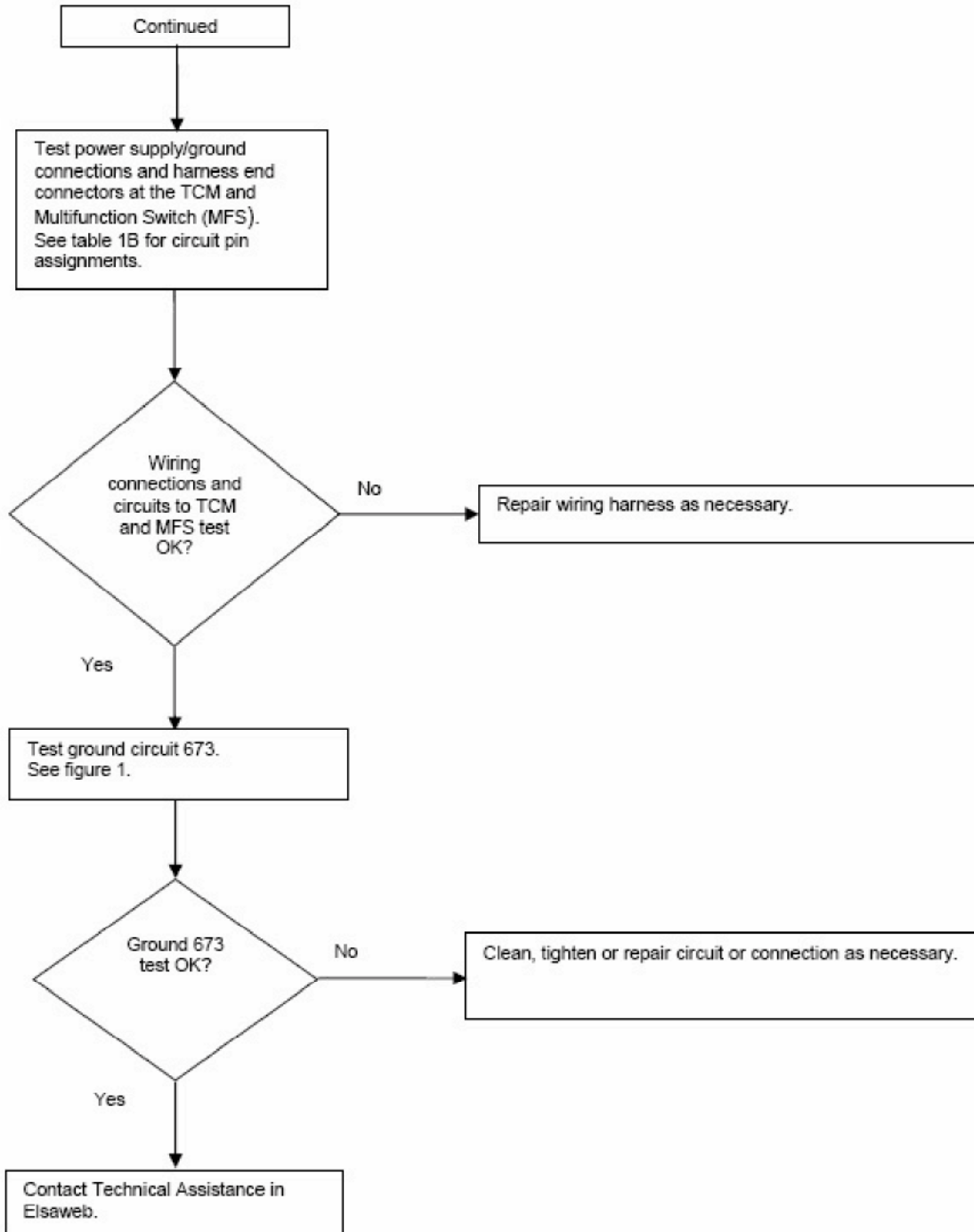
Tip:

Ensure proper operation of the shift interlock system before beginning diagnostics.

Technical Bulletin



Technical Bulletin



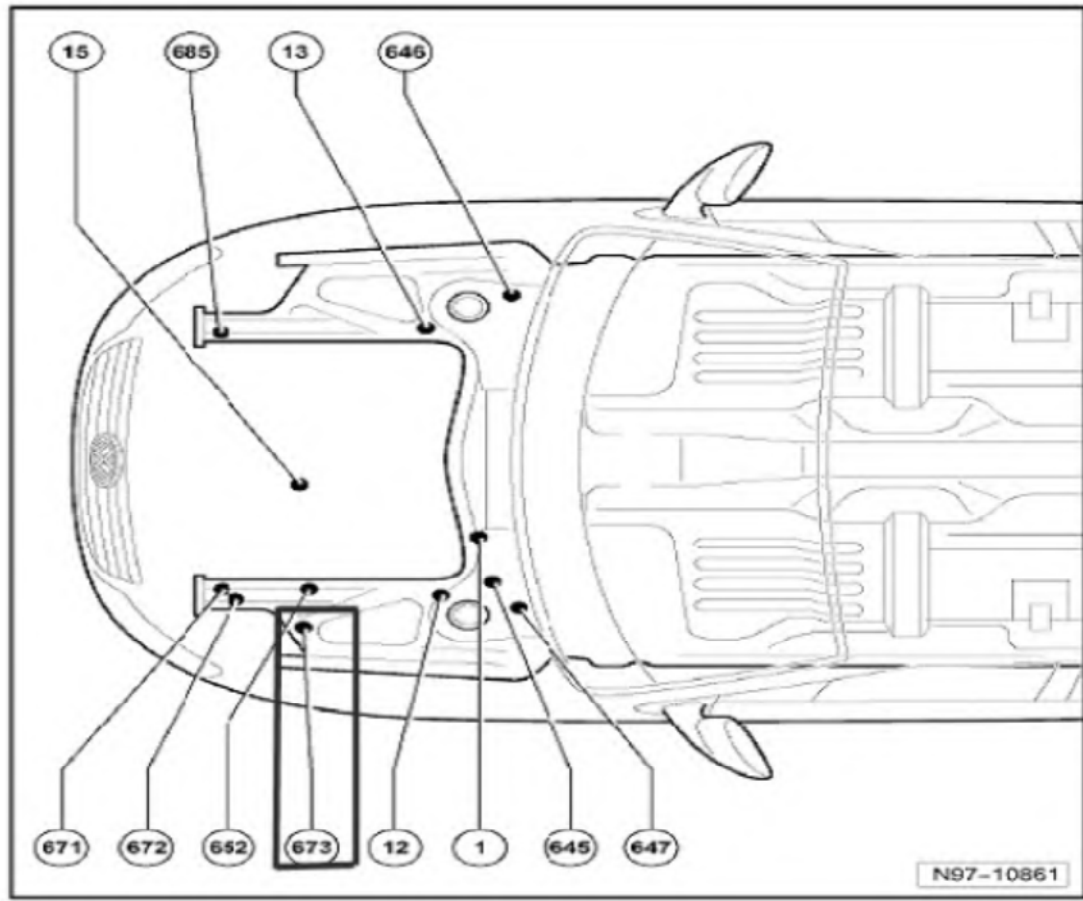
Technical Bulletin



Table 1A	
Part Description	Pin Terminal
TCM (J217)	T52/1 (Ground)
	T52/2 (Ground)
	T52/3 (Bat +)
	T52/27 (Bat +)
Multifunction Switch (F125)	T10w/3 (Ground)
	T10w/4 (ground)
	T10w/10 (Bat +)
	T10w/2 (Bat +)

Table 1B	
TCM (J217) Pin Terminal	Multifunction Switch (F125) Pin Terminal
T52/21	T10w/8
T52/47	T10w/1
T52/10	T10w/7
T52/36	T10w/9
T52/22	T10w/5

Technical Bulletin



Technical Bulletin



No Communication from TCM

Are any of the following DTCs stored in Fault Memory?

Module	DTC	Description
ECM	U0101, 28773	Transmission ECU No Communication
ABS Module	01315	Gearbox Control Unit, No Communication
Data Bus On Board Diagnostic	01315	Gearbox Control Unit, No Communication
Steering Colum Electronics	01315	Gearbox Control Unit, No Communication

Yes: Follow guided Fault Finding Test Plan for repair, use table below for correct Pin assignment.

Data Bus On Board Diagnostic Interface Module (J533) Pin Terminal	TCM (J217) Pin Terminal
T20e/16	T52/46
T20e/6	T52/34

No: Follow Testing Power Supply and Grounds above.

Technical Bulletin



Did the connections test OK between the Data Bus On Board Diagnostic Module Interface Module (J533 Gateway) and TCM (J217) circuits?

Yes: Test the Power Supply and Grounds circuits to Data Bus On Board Diagnostic Interface Module (J533, Gateway) and TCM (J217) listed below.

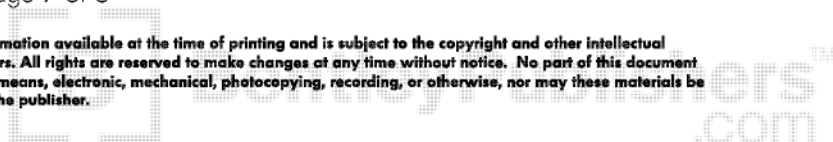
Description	Pin Connection
Data Bus On Board Diagnostic Interface Module (J533) Pin Terminal	T20e/12 (Ground)
	T20e/11 (Ground)
	T20e/14 (Bat +)
	T20e/1 (Bat +)
	T20e/2 (Bat +)

Description	Pin Terminal
TCM (J217)	T52/1 (Ground)
	T52/2 (Ground)
	T52/3 (Bat +)
	T52/27 (Bat +)

Did the Power supply and Ground circuits to the Data Bus On Board Diagnostic Interface Module (J533 Gateway) and TCM (J217) test OK?

Yes: Contact technical assistance, select the "Technical Assistance" tab in Elsaveb and follow the instructions to obtain a 6 digit pin.

No: Repair harness wiring as necessary.



Technical Bulletin



Warranty

Information only.

Required Parts and Tools

No Special Parts required.

No Special Tools required.

Additional Information

All part and service references provided in this Technical Bulletin are subject to change and/or removal. Always check with your Parts Dept. and Repair Manuals for the latest information.