

Technical Bulletin



Model(s)	Year	Eng. Code	Trans. Code	VIN Range From	VIN Range To
Jetta (A5)	2005 - 2007	2.0L (BPY)	6 Speed Manual	All	All
Passat, Passat Wagon	2006 - 2007	2.0L (BPY)	6 Speed Manual	All	All
Eos	2007	2.0L (BPY)	6 Speed Manual	All	All
GTI	2006 - 2007	2.0L (BPY)	6 Speed Manual	All	All

Condition

34 07 05 Aug. 22, 2007 2015981

Transmission, Manual 6 Speed (MQ350), Knocking Noise under Load

Knocking noises at load change from pendulum support.

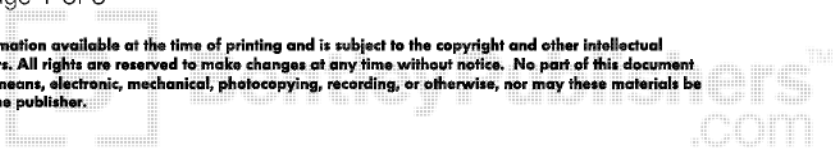
Technical Background

Connection between pendulum support and gearbox may be loose.

Engine vibrations affect the connection and may loosen the bolts.

Production Solution

No production change required.



Technical Bulletin



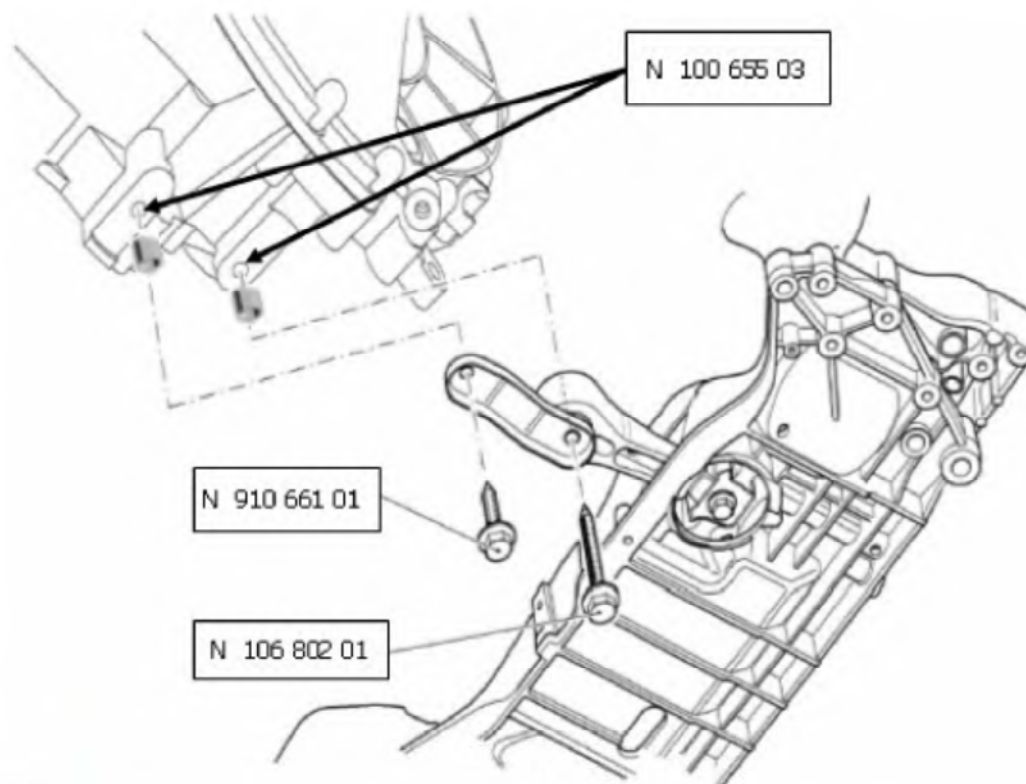
Service

1. Check pendulum support bolts.
2. If bolts are found to be loose:
 - a. Remove bolts.
 - b. Discard original bolts.
 - c. Install HeliCoil® thread elements (N10065503) on both threads in the gearbox housing.
 - d. Install pendulum support and secure with new bolts listed below:
 - M 10x35 (N91066101)
 - M 10x75 (N10680201)



Note:

Contrary to the repair manual use the following torque for installing the pendulum support:
Tighten bolts to 50 Nm (37 ft. lbs.), plus 90°.



Note:

Because of anti-corrosion protection, the above HeliCoil® elements MUST be used.
If elements without surface coating are used, the thread can be deteriorated by corrosion.

Technical Bulletin



Warranty

When procedure applies to vehicles within the New Vehicle Limited Warranty, use the following:	
Claim Type:	W2
Part Identifier:	3435
Damage Code:	3435 18 ___ * 1
Labor Operation:	34355599 = 70 TU
Diagnostic Time:	No Additional Diagnostic Time Allowed
Claim Comment: Type "As per Technical Bulletin 2015981" in comment section of Warranty Claim.	

Required Parts and Tools

Description	Part No:	Quantity
bolt M 10x35 10.9	N91066101	1
bolt M 10x75 10.9	N10680201	1
Helicoil® element	N10065503	2
bolt M 14x70 8.8	N10558001	1

Additional Information

All part and service references provided in this Technical Bulletin are subject to change and/or removal. Always check with your Parts Dept. and Repair Manuals for the latest information.