

Technical Bulletin



Model(s)	Year	Eng. Code	Trans. Code	VIN Range From	VIN Range To
Jetta (A5)	2005 - 2007	All	All EXCEPT 6 Speed Manual	All	All
Passat, Passat Wagon	2006 - 2007	All	All EXCEPT 6 Speed Manual	All	All
Rabbit, GTI	2006 - 2007	All	All EXCEPT 6 Speed Manual	All	All
Eos	2007	All	All EXCEPT 6 Speed Manual	All	All

Condition

37 07 18 August 23, 2007 2015979

Transmission, Knocking Noise Under Load

Knocking noises at load change from pendulum support.



Tip:

If vehicle is equipped with 6 speed manual transmission (MQ350), see Technical bulletin Instance number 2015981 in ElsaWeb.

Technical Background

Connection between pendulum support and gearbox may be loose.

Engine vibrations affect the connection and may loosen the bolts.

Production Solution

No production change required.

Technical Bulletin



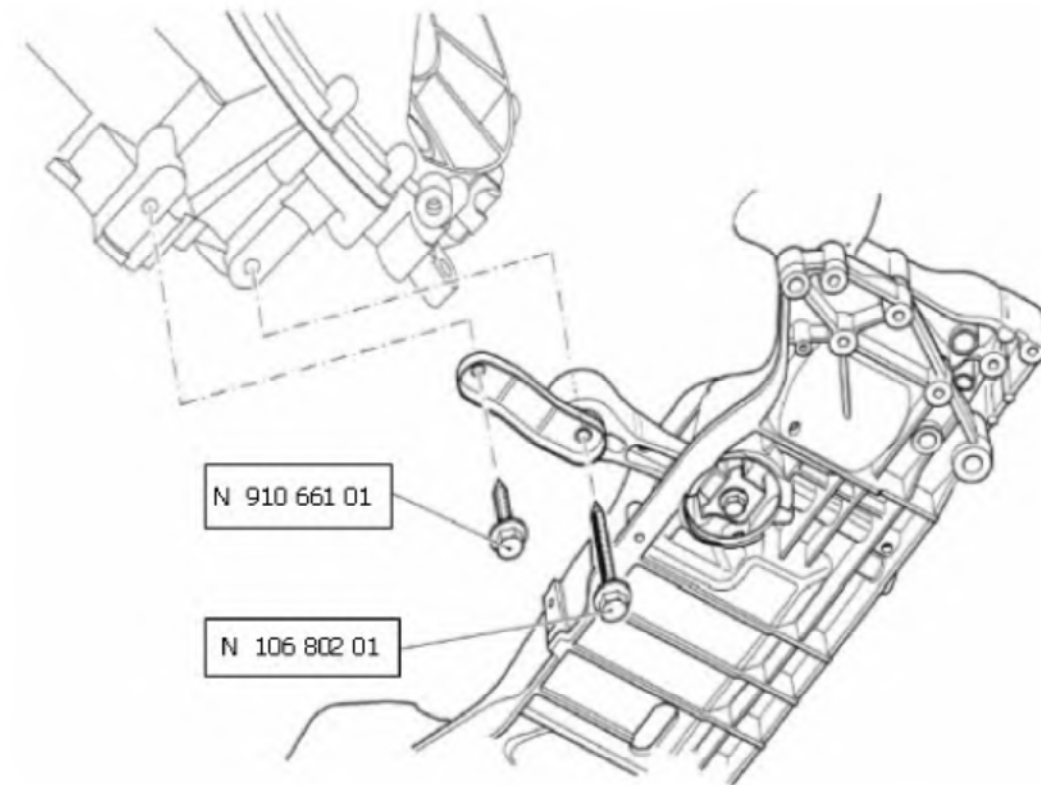
Service

1. Check pendulum support bolts.
2. If bolts are loose:
 - a. Remove bolts.
 - b. Discard original bolts.
 - c. Install pendulum support and secure with new bolts listed below.
 - M10x35 (N91066101)
 - M10x75 (N10680201)



Note:

Contrary to the repair manual use following torque:
Tighten bolts to 50 Nm (37 ft. lbs.) plus 90°.



Technical Bulletin



Warranty

When procedure applies to vehicles within the New Vehicle Limited Warranty, use the following:	
Claim Type:	W2
Part Identifier: Manual Transmission	3435
Damage Code:	3435 18 ___ * 1
Labor Operation:	34355599 = 50 TU
Part Identifier: Automatic Transmission	3735
Damage Code:	3735 18 ___ * 1
Labor Operation:	37355599 = 50 TU
Diagnostic Time:	No Additional Diagnostic Time Allowed
Claim Comment: Type "As per Technical Bulletin 2015979" in comment section of Warranty Claim.	

Required Parts and Tools

Description	Part No:	Quantity
Bolt M10x35 10.9	N 91066101	1
Bolt M10x75 10.9	N 10680201	1

No special tools required.

Additional Information

All part and service references provided in this Technical Bulletin are subject to change and/or removal. Always check with your Parts Dept. and Repair Manuals for the latest information.