

# Technical Bulletin



Model(s)	Year	Eng. Code	Trans. Code	VIN Range From	VIN Range To
Jetta (A5)	2005 - 2008	All	All	All	All
Passat, Passat Wagon (B6)	2006 - 2008	All	All	All	All
Rabbit, GTI (A5)	2006 - 2008	All	All	All	All

## Condition

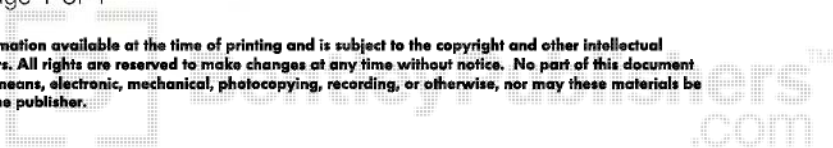
72 07 05 Nov. 21, 2007 2016561

Seat, Front, Creaking Noises

Front seat frame creaks/generates noise when driving or in stationary position during seat pressure shift.

## Technical Background

Insufficient lubricant applied between the rear cross pipe -1- and the two side rails -2- of the seat frame.



# Technical Bulletin



## Production Solution

Not applicable.

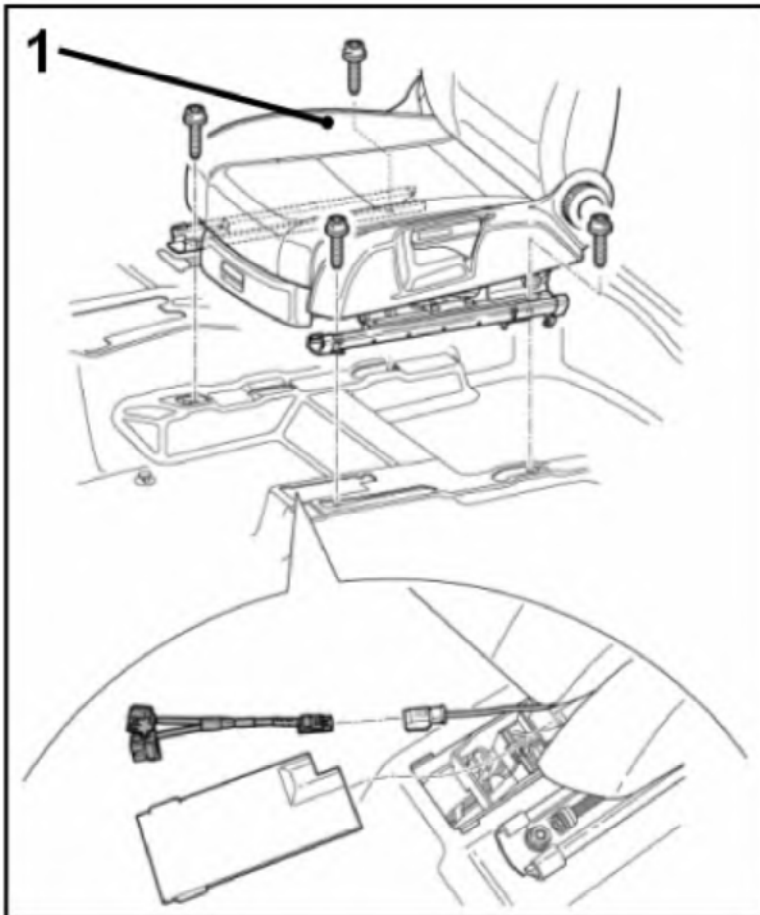
## Service



Note:

Do NOT replace the seat frame.

Apply lubricant to contact points between cross pipe and side rails on seat frame.



Remove front seat -1- see Body Interior, Seats  
- Frames in repair manual.

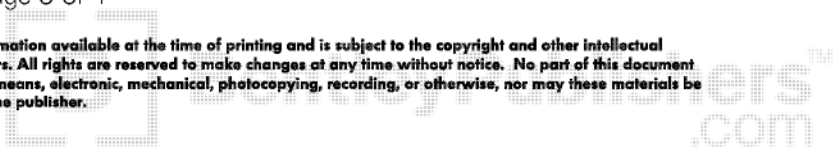
# Technical Bulletin



- Lubricate the contact point –arrow- between rear cross pipe and side rails (LH, RH) of seat frame with lubricant Part No. G000115A2.
- Install seat.
- Verify repair.

## Warranty

To determine if this procedure is covered under Warranty, always refer to the Warranty Policies and Procedures Manual*					
Model(s)	Year(s)	Eng. Code(s)	Trans. Code(s)	VIN Range From	VIN Range To
Jetta	2005 - 2008	All	All	All	All
Passat	2006 - 2008	All	All	All	All
Passat Wagon	2007 - 2008	All	All	All	All
Rabbit, GTI	2006 - 2008	All	All	All	All
Claim Type:		Use applicable Claim Type*			
<b>SAGA Coding</b>					
Service Number:	Damage Code	Damage Location (Depends on Service No.)		Parts Manufacturer (removed part)	
7209	0020	Use applicable when indicated in ElsaWeb (L/R)		___**	
7210	0020	Use applicable when indicated in ElsaWeb (L/R)		___**	



# Technical Bulletin



WIN Coding		
Part Identifier: Manual Seat Adjust	7209	
Damage Code:	7209 20 ___** 1	
Labor Operation: Manual Adjust Seat (one side)	72094199 = 70 TU	
Labor Operation: Manual Adjust Seat (both sides)	72094299 = 90 TU	
Part Identifier: Electric Seat Adjust	7210	
Damage Code:	7210 20 ___** 1	
Labor Operation: Electric Adjust Seat (one side)	72104199 = 70 TU	
Labor Operation: Electric Adjust Seat (both sides)	72104299 = 90 TU	
Diagnostic Time***		
GFF Time expenditure	WIN) 01509999 = XX TU max.	NO
	SAGA) 01500000 = XX TU max.	
Road Test	01210002 & 01210004	NO
Technical Diagnosis	0132xxxx = XX TU max.	NO
Claim Comment: Input "As per Technical Bulletin 2016561" in comment section of Warranty Claim.		

\* Vehicle may be outside any Warranty in which case this Technical Bulletin is informational only.

\*\* Code per warranty vendor code policy.

\*\*\* Documentation required per Warranty Policy & Procedures Manual.

## Required Parts and Tools

Part Description	Part No:	Quantity
Lubricant	G000115A2	As Required

No Special Tools required.

## Additional Information

All part and service references provided in this Technical Bulletin are subject to change and/or removal. Always check with your Parts Dept. and Repair Manuals for the latest information.